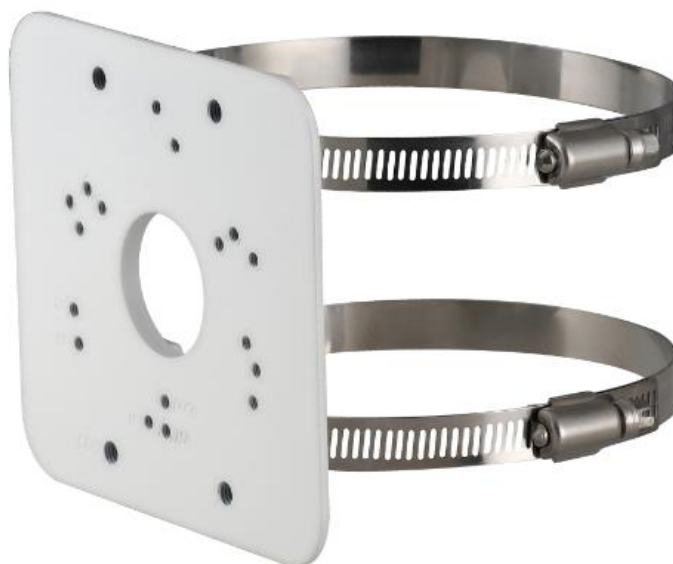


# DH-PFA152-E

## Pole Mount Bracket

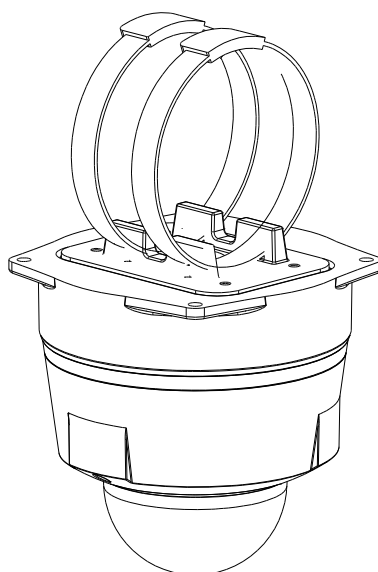


### Features

- Material: aluminum & SUS304
- Pole mount bracket
- Aesthetic design



## Application



## Package Information

- Pole mount bracket \*1
- M4 screw \*4
- M6 screw \*4
- Wrench \*1
- Metal hoop: 2