

# DH-PFB110W

## Wall Mount Bracket



### Features

- Aesthetic design
- Wall mount/plane mount/ceiling mount bracket
- Material: aluminum

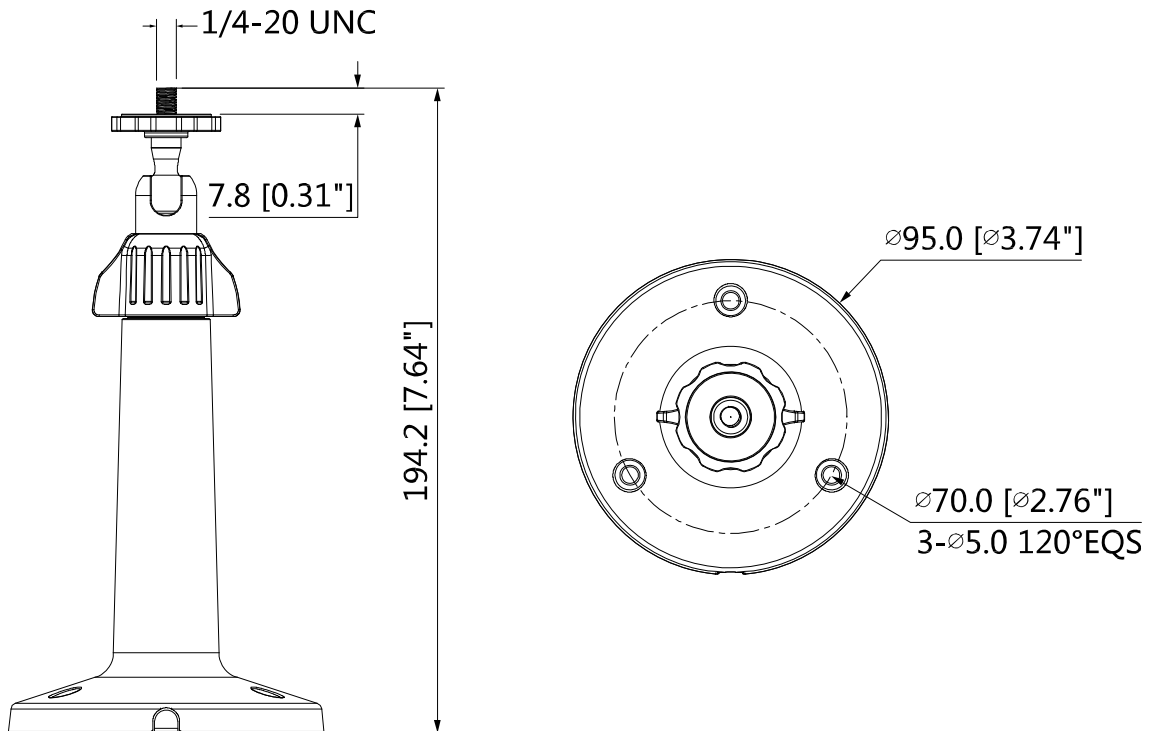
### Technical Specifications

<b>Model</b>	<b>DH-PFB110W</b>
<b>General</b>	
Material	Aluminum
Dimension	φ95mmx194.2mm (φ3.74"x7.64")
Pipe Thread	1/4"-20 UNC
Weight	0.18kg(0.4lb)
Load Bearing	1kg(2.2lb)
Color	White
Operating Temperature	-40°C~+60°C(-40°F~+140°F)
Humidity	<90% RH
Applicable Model	Please see "Accessory Selection"

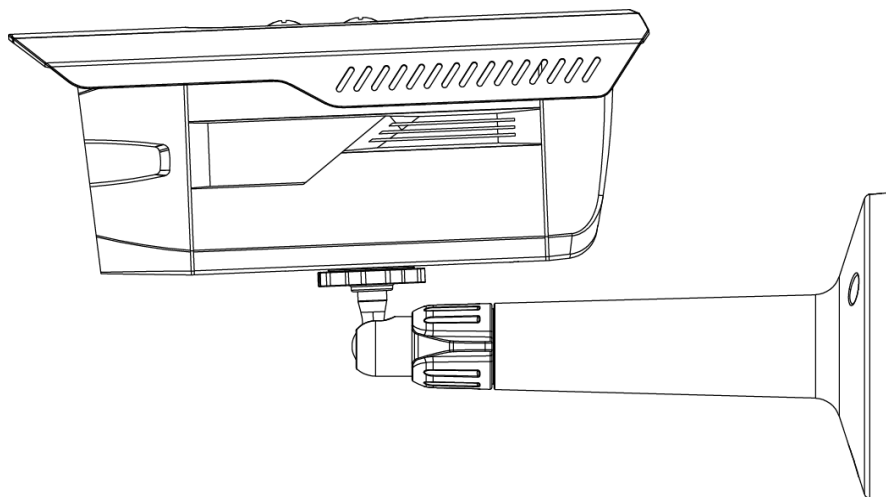
### Order Information

Type	Part Number	Description
Camera Mount	DH-PFB110W	Wall mount bracket
	PFB110W	Wall mount bracket

### Dimensions (mm/inch)



## Application



## Package Information

- Wall mount bracket \*1
- ST4 screw \*3
- Plastic anchor \*3