

# DH-PFB121W

## Wall Mount Bracket



### Features

- Aesthetic design
- Wall mount bracket
- Material: aluminum

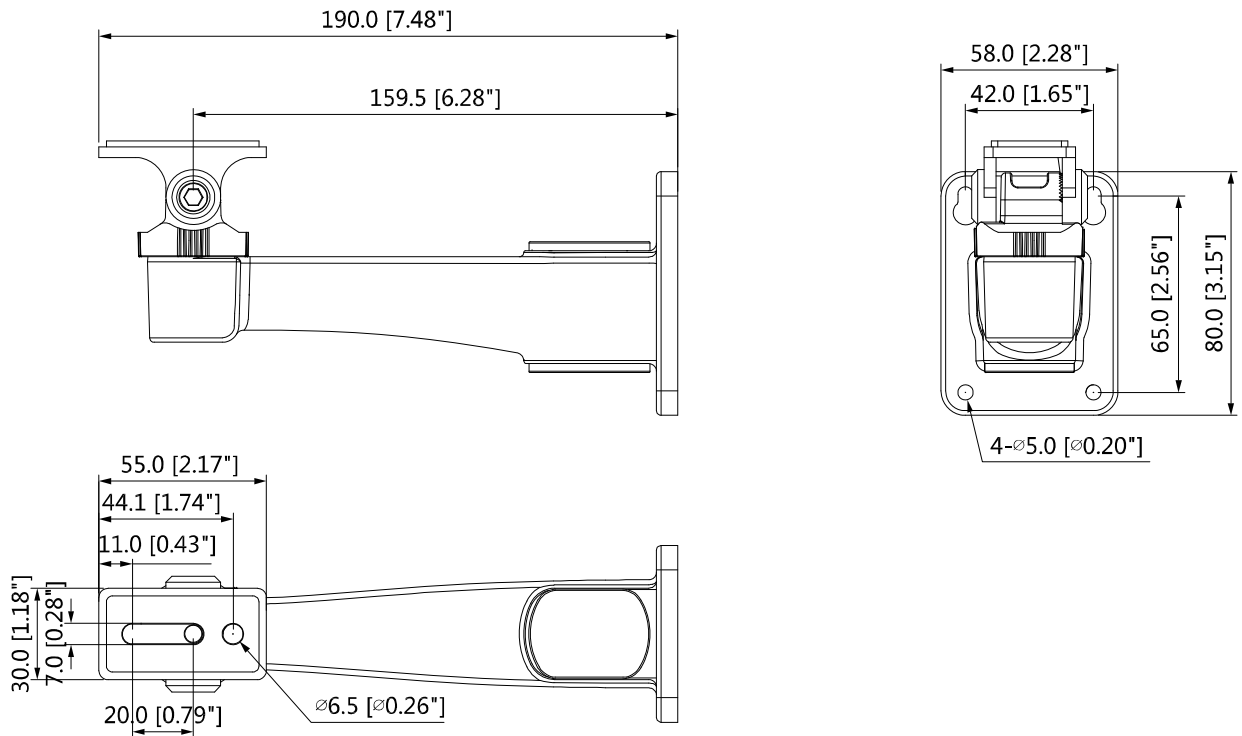
### Technical Specifications

<b>Model</b>	<b>DH-PFB121W</b>
<b>General</b>	
Material	Aluminum
Dimension(WxHxD)	58mmx88mmx190.5mm (2.28"x3.46"x7.50")
Weight	0.24kg(0.53lb)
Load Bearing	1kg(2.2lb)
Color	White
Operating Temperature	-40°C ~ +60°C (-40°F ~ +140°F)
Humidity	<90% RH
Applicable Model	Please see "Accessory Selection"

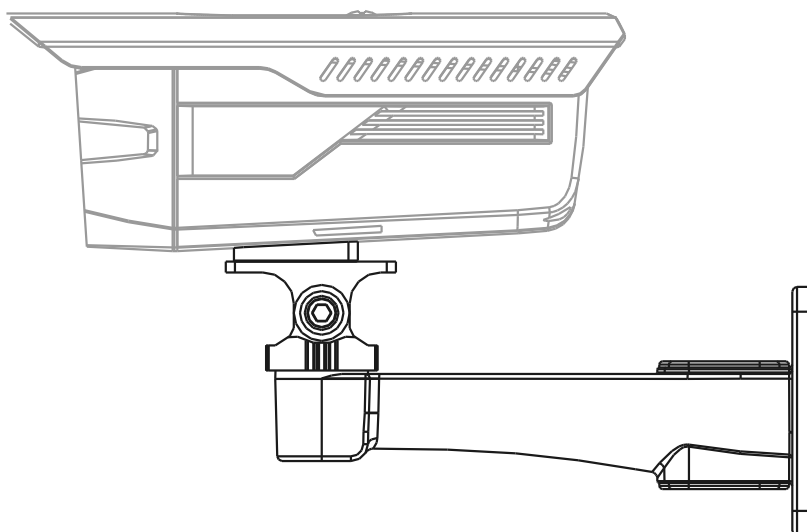
### Order Information

Type	Part Number	Description
Camera Mount	DH-PFB121W	Wall mount bracket
	PFB121W	Wall mount bracket

### Dimensions (mm/inch)



## Application



## Package Information

- Wall mount bracket \*1
- 1/4-20-10UNC \*1
- ST4 screw \*3
- Plastic anchor \*4
- Wrench \*1